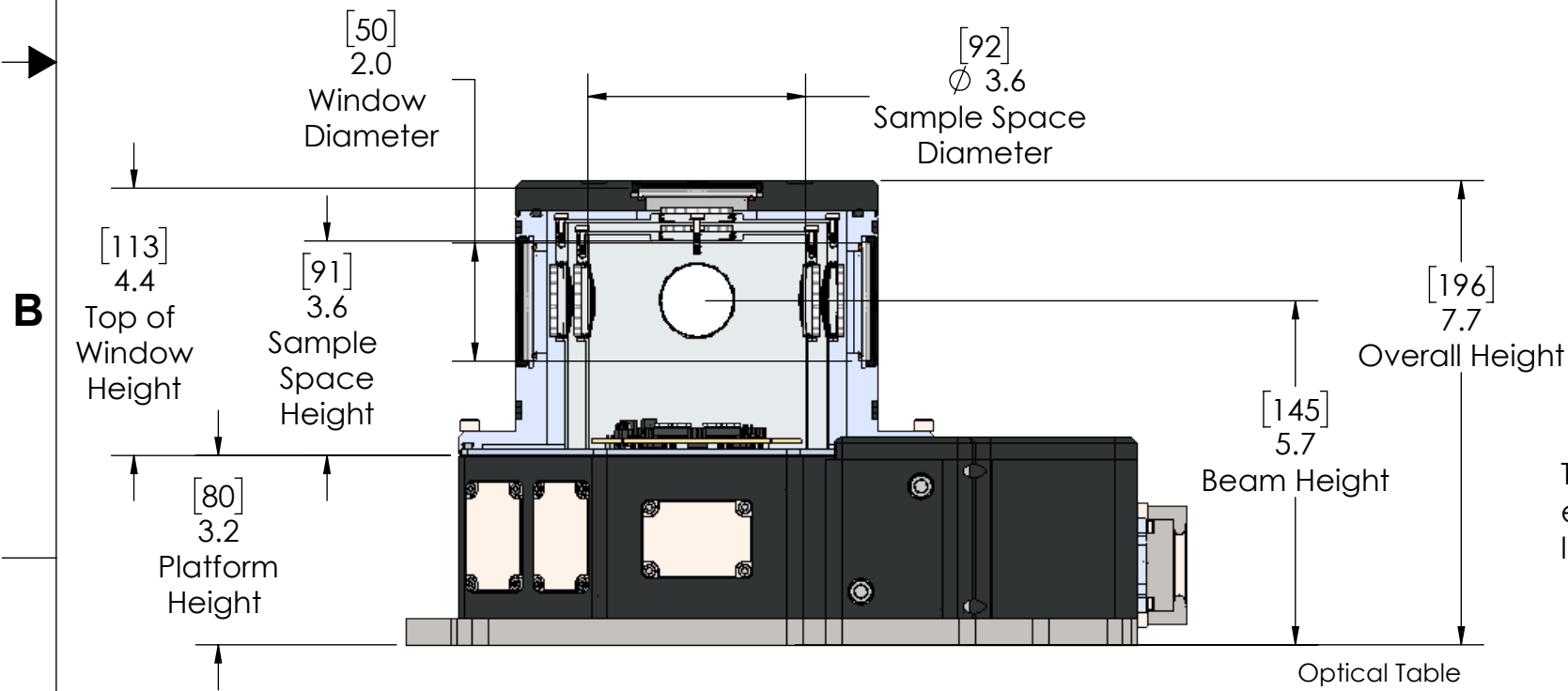
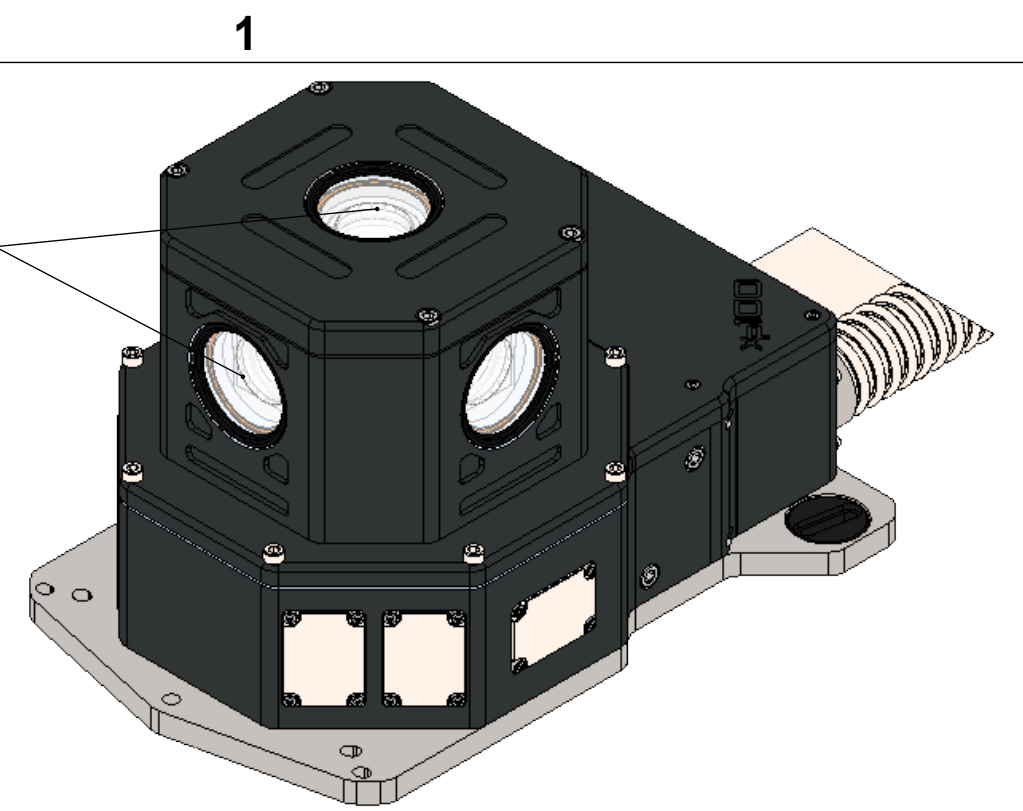


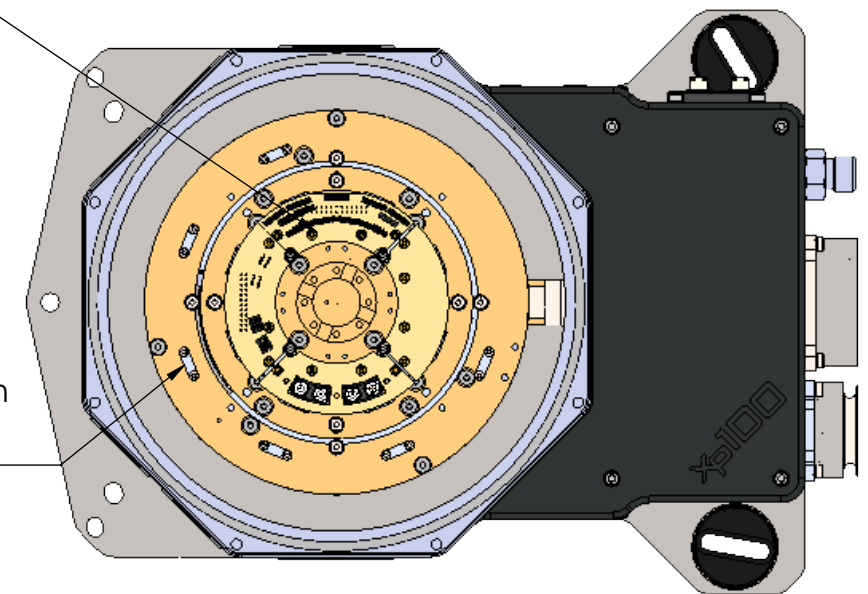
1 top and 4 radial optical access ports available
Baseline configuration includes 3 window ports



Configurable Low Temperature PCB Wedges (RF, DC, etc.)
Baseline Configuration Includes:

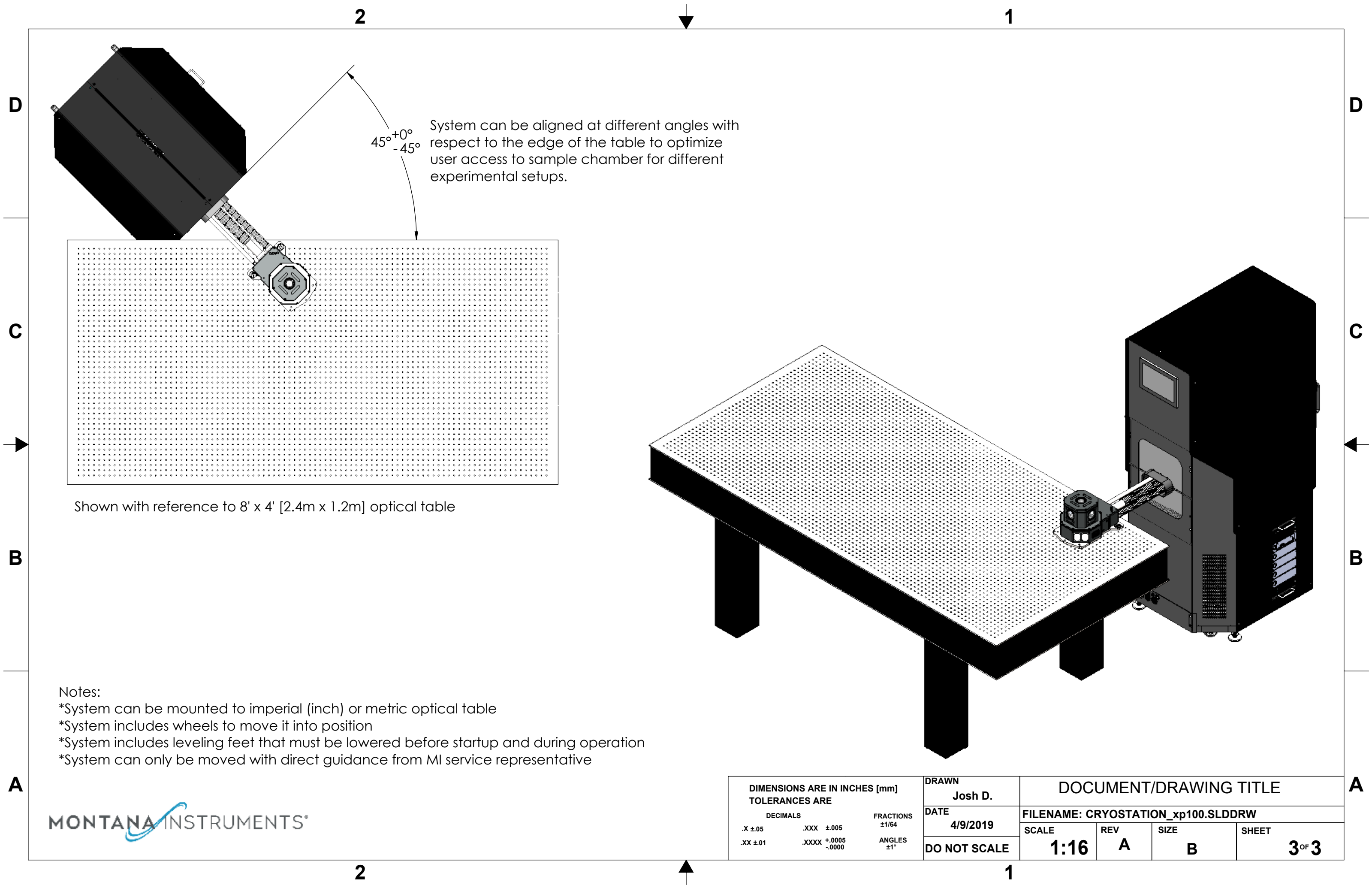
- 2 User Heater/Thermometer Pairs
- 25 total DC lines
- 2 RF lines

Three stages of cooling with easily accessible thermal lagging locations



Top view with upper housing removed

DIMENSIONS ARE IN INCHES [mm] TOLERANCES ARE		DRAWN Josh D.	Cryostation xp100		
DECIMALS		DATE 4/9/2019	FILENAME: CRYOSTATION_xp100.SLDDRW		
.X ±.05	.XXX ±.005	DO NOT SCALE	SCALE 1:3	REV A	SIZE B
.XX ±.01	.XXXX +.0005 -.0000		SHEET 2 OF 3		
FRACTIONS ±1/64					
ANGLES ±1°					



2

1

D

D

C

C

B

B

A

A

$45^{\circ} +0^{\circ}$
 -45°

System can be aligned at different angles with respect to the edge of the table to optimize user access to sample chamber for different experimental setups.

Shown with reference to 8' x 4' [2.4m x 1.2m] optical table

- Notes:
- *System can be mounted to imperial (inch) or metric optical table
 - *System includes wheels to move it into position
 - *System includes leveling feet that must be lowered before startup and during operation
 - *System can only be moved with direct guidance from MI service representative



DIMENSIONS ARE IN INCHES [mm]		DRAWN		DOCUMENT/DRAWING TITLE	
TOLERANCES ARE		Josh D.		FILENAME: CRYOSTATION_xp100.SLDDRW	
DECIMALS		DATE		SCALE	
.X ±.05	.XXX ±.005	4/9/2019		1:16	REV A
.XX ±.01	.XXXX +.0005 -.0000	DO NOT SCALE		SIZE B	SHEET 3 OF 3
FRACTIONS ±1/64		ANGLES ±1°			

2

1