



## Arc light sources

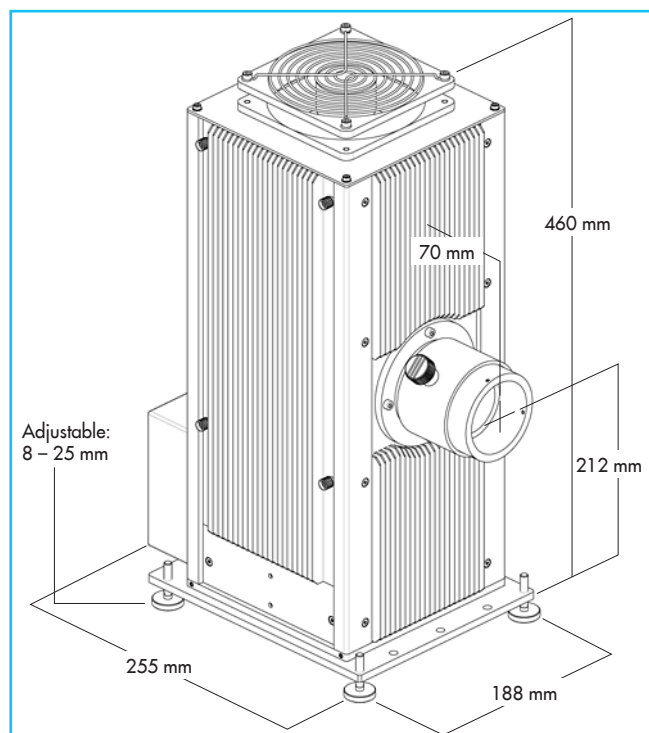
### 450 – 1200 W arc light source

- *Modular: operates Xe, Hg and Hg(Xe) arc lamps.*
- *Temperature-controlled cooling fan for most efficient lamp operation*
- *External lamp and rear reflector adjusters*
- *Choice of different condensing optics for collimated output beams in the UV-NIR*
- *Supports wide range of accessories*

Our 1000 W lamp housing is much more than just a safe enclosure for the lamp. It operates different Xe, Hg and Hg(Xe) lamps under optimal and for these lamps necessary conditions. The housing holds the ignitor, collecting and collimating optics, rear reflector, cooling fan, external lamp and reflector adjusters and all the necessary electronics.

Switching between different arc lamps only requires changing the lamp adapter to position the lamp in the center of the housing. With the broad range of accessories which mostly attach directly to the condenser output, our sources prove to be good standard equipment in the laboratories of research and industry.

Our lamp housings have height-adjustable feet which allow adjusting the optical axis by 15 mm. You can take the feet off and hard mount the housing to a bench, rail or optical table with the optic's axis centered over the hole pattern to allow for easy integration with the rest of your setup. The height of the optical axis is then 217 mm.



### Condensing optics

We offer different types of condensing lens assemblies. They differ in:

- Size (35 or 50 mm beam diameter)
- Lens material and therefore usable spectral range
- F/number and therefore beam quality and collection/collimation efficiency.

All condensers are intended for collimated beams, but can also be positioned for compensating focal length change due to dispersion and to produce a diverging or converging beam. The glass condensers do not transmit below 350 nm. If you need UV output, choose a quartz condenser. For transmittance curves of these materials go to "Transmittance of optical materials", on [www.lot-qd.com/lightsources](http://www.lot-qd.com/lightsources) ("Basics").

For best uniformity, use a slightly diverging beam. For best quality images use the condenser as a collimator and a secondary focusing lens. In this case choose a condenser with high F/number. For details go to "Choosing the right condenser" on [www.lot-qd.com/lightsources](http://www.lot-qd.com/lightsources) ("Basics").

### Lamp and reflector adjusters

A spherical reflector collects the output from the rear of the lamp and focuses it on or near the arc for collection by the condenser. Output is increased by as much as 50%. The lamp and reflector adjusters are located on the outside of the housing. They let you precisely position the arc and its image for maximum collection and allow you to place the arc where you want it. This eliminates the need to readjust any optics that are in the beam after it leaves the housing.



# Arc light sources

## 450 – 1200 W arc light source

### Power supply

The power supplies are reliable current sources for our arc lamps. Our power supplies are easy to use. A self explaining menu navigation allows easy setup of the light source and safe lamp operation. The power supply comes factory preset for the specific lamp ordered. The lamp is automatically operated within its admissible current/voltage range.

### Cooling

Proper cooling is essential for correct lamp operation. The bulb temperature of arc lamps should not exceed 600 - 900° C, because at higher temperatures the bulb is not able to withstand the high gas pressure due to a temperature-related change of the quartz structure (recrystallization). Because of potential current conductor oxidation, the socket temperature must not exceed 230° C. Lamps of 200 W and higher require forced cooling of the base connection parts and bulb cooling is necessary for lamps of even higher wattage. Air blow on only one side of the bulb must be avoided because it generates additional stress in the quartz glass and unbalances the inner convection symmetry, resulting in turbulences. As a consequence the arc becomes unstable. Stress in the quartz glass also results in a risk of lamp burst.

Excessive cooling should also be avoided because it also provides increased arc instability due to turbulences in the bulb.

Our fan cooled housings provide baffled air flow to maintain the correct operating conditions for the listed lamps when operating in normal laboratory ambient. Overheating due to blocking of the cooling vents or an inoperative fan activates a thermostat interlock which shuts the system off.

### A word on safety

Our Xe and Hg(Xe) lamps are strong UV sources and emit dangerous levels of ultraviolet radiation. Exposure to UV, even for short periods, can cause severe skin and eye burns. Always wear protective eyewear and gloves or clothing, when working near these sources. If you do not need output below 260 nm choose an ozone-free lamp: otherwise vent the ozone to the outside. For more about UV safety go to "Ultraviolet safety considerations" on [www.lot-qd.com/lightsources](http://www.lot-qd.com/lightsources) ("Basics").

Our lamp housings include safety features to prevent lamp damage and accidental exposure. A door interlock prohibits the operation of the lamp while the door is open.

### Ordering information

To build a complete arc light source you will need: Lamp housing, condensing optic, lamp with appropriate adapter, power supply, electrical interface and cable set between lamp housing and power supply. As an option choose the rear reflector for more output.

#### Housing and optics

<b>LSH601</b>	450 - 1200 W lamp housing
<b>LSC410</b>	UV quartz condenser, F/1.0, 35 mm aperture
<b>LSC315</b>	UV quartz condenser; F/1,3; 50 mm aperture
<b>LSC510</b>	UV quartz condenser; F/1,0; 50 mm aperture
<b>LSC511</b>	Glass condenser; F/1,0; 50 mm aperture
<b>LSC621</b>	Rear reflector assembly

For transmittance/reflectance curves go to "Transmittance of optical materials" or "Reflectance and refractive index of optical materials" on [www.lot-qd.com/lightsources](http://www.lot-qd.com/lightsources) ("Basics").

#### Arc lamps and adapters

Arc lamps		Required adapter
<b>LSB540</b>	450 W Xe	<b>LSA654</b>
<b>LSB541</b>	450 W Xe UV	<b>LSA654</b>
<b>LSB542</b>	450 W Xe OF	<b>LSA654</b>
<b>LSB550</b>	1000 W Xe	<b>LSA655</b>
<b>LSB551</b>	1000 W Xe OF	<b>LSA655</b>
<b>LSB553</b>	1200 W Xe OF	<b>LSA655</b>
<b>LSB750</b>	1000 W Hg(Xe)	<b>LSA655</b>
<b>LSB751</b>	1000 W Hg(Xe) OF	<b>LSA655</b>

For lamp specifications go to "DC short arc lamps, specifications" on [www.lot-qd.com/lightsources](http://www.lot-qd.com/lightsources) ("Arc light sources").

#### Power supplies and interfaces

<b>LSN655</b>	Power supply for 450 - 1200 W Xe arc lamps
<b>LSN365</b>	Power supply for 300 - 600 W arc lamps
<b>LSE641</b>	Interface with ignitor for arc lamps up to 1300 W
<b>LSE660</b>	Interconnection cable for LSE641 to LSN365
<b>LSE662</b>	Interconnection cable for LSE641 to LSN655

For power supply specifications go to "Arc lamp power supplies, specifications" on [www.lot-qd.com/lightsources](http://www.lot-qd.com/lightsources) ("Arc light sources").